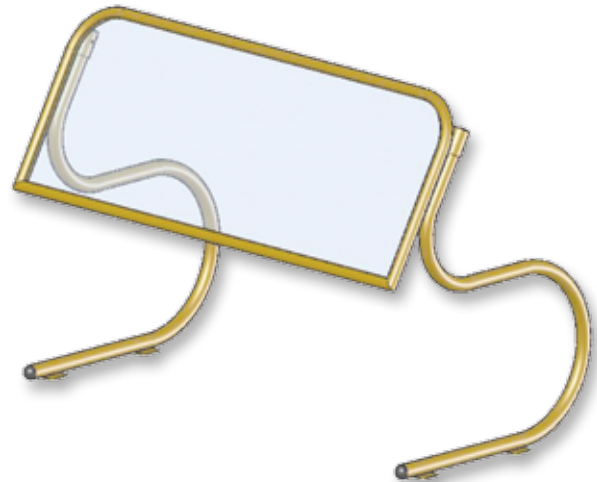


HI-PROFILE FOLDING PORTABLE SNEEZE GUARD

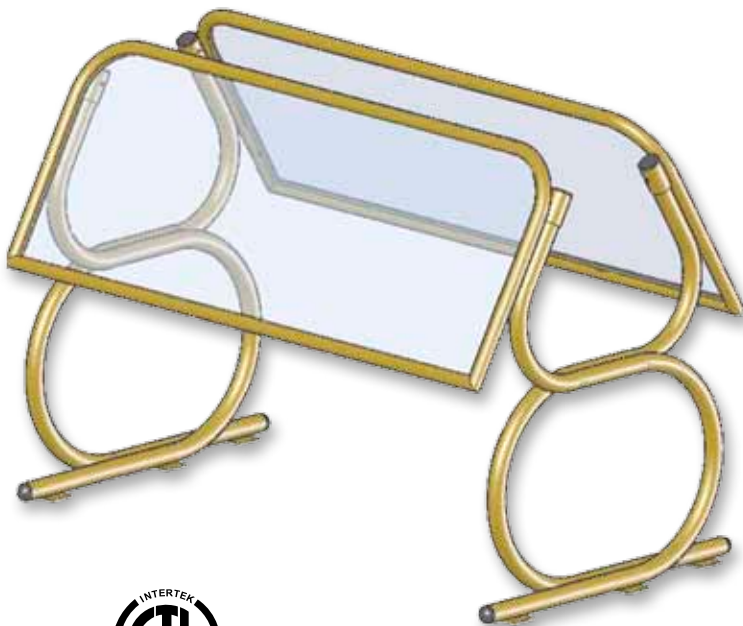


*Concerned about how to store
your sneeze guards
to prevent damage?*

*Storage and handling solu-
tions are available.*



HI-PROFILE PORTABLE



- *Use 1 for single sided service or 2 back to back for double sided table service.*
- *18" Wrist Clearance.*
- *Designed to fit standard sized banquet tables.*
- *For use when chaffers, ice boats, or other elevated containers are used.*



ANSI/NSF 2

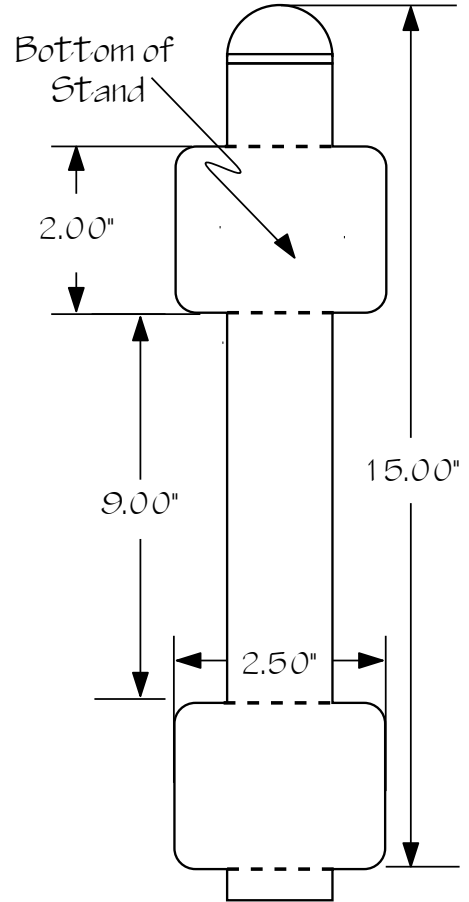
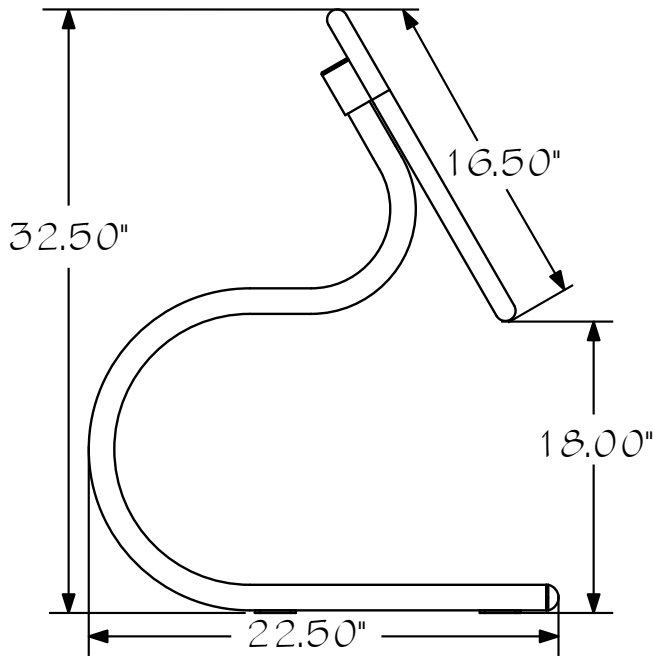
* Images are computer renderings, not actual photos, some color variance may occur from what is rendered to the actual powder coat finish.

Phone: 800-569-2056

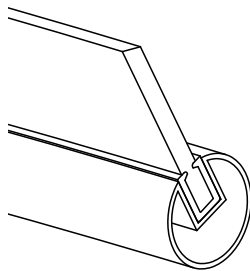
Fax: 573-449-7126

www.sneezeguardsolutions.com

SPECIFICATIONS



HI-PROFILE PORTABLE



- Exclusive extruded 1" Groove Tube
- Mounted in rubber gasket
- 1.25" aluminum stands
- Scratch resistant acrylic food shield
- Powder coated finish

| Black | Gold | Nominal Length | Overall Length | Between Stands | Weight |
|---------|---------|----------------|----------------|----------------|--------|
| 0801 HP | 0802 HP | 2 foot* | 25.5" | 20.5" | 8 lbs |
| 0901 HP | 0902 HP | 3 foot* | 34.75" | 29.75" | 9 lbs |
| 1001 HP | 1002 HP | 4 foot | 46.75" | 41.75" | 10 lbs |
| 1101 HP | 1102 HP | 5 foot | 58.75" | 53.75" | 13 lbs |
| 1201 HP | 1202 HP | 6 foot | 70.75" | 65.75" | 14 lbs |
| 1281 HP | 1282 HP | 8 foot | 94.75" | 89.75" | 18 lbs |

*One leg does not lock in a closed position due to short length of guard.

Silver available upon request Call for quote on substituting tempered glass for Acrylic food shield.