

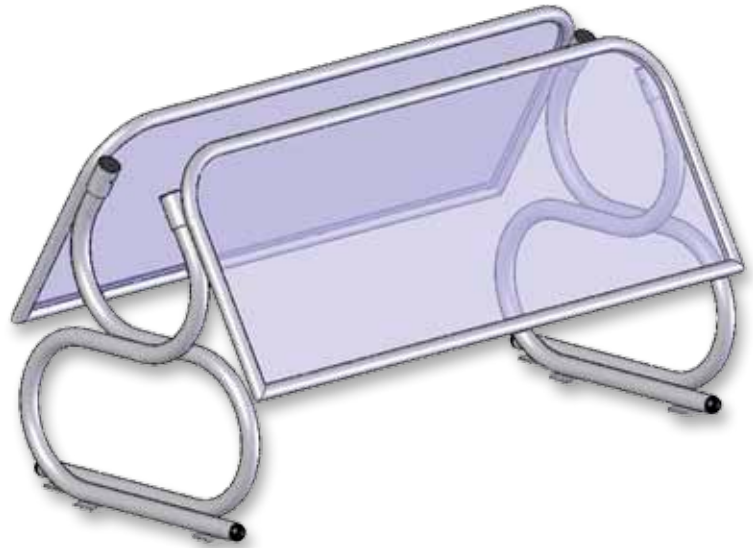
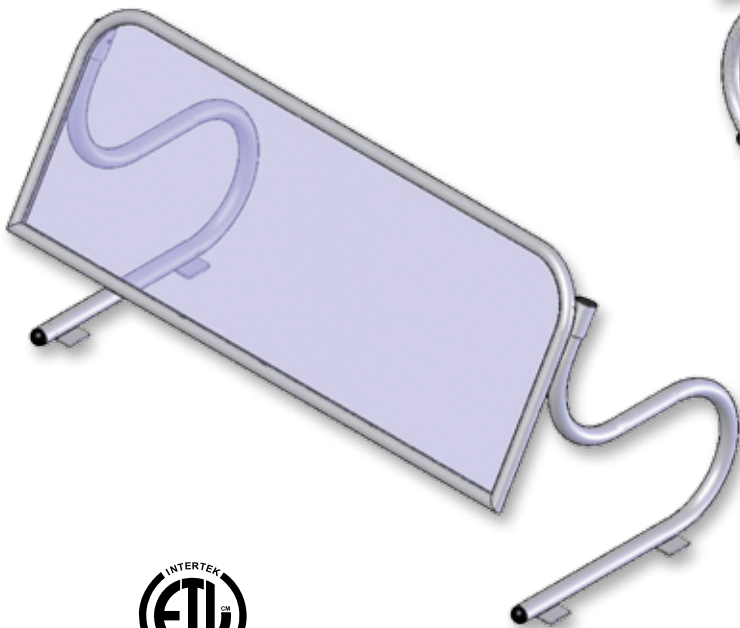
LOW PROFILE FOLDING PORTABLE SNEEZE GUARD



easy as

1...2...3...

- Use 1 for single sided service or 2 back to back for double sided table service.
- 11" Wrist Clearance.
- Designed to fit standard sized banquet tables.
- For use in elementary schools, sampling, and high counters.



Concerned about how to store your sneeze guards to prevent damage?

Storage and handling solutions are available.



ANSI/NSF 2

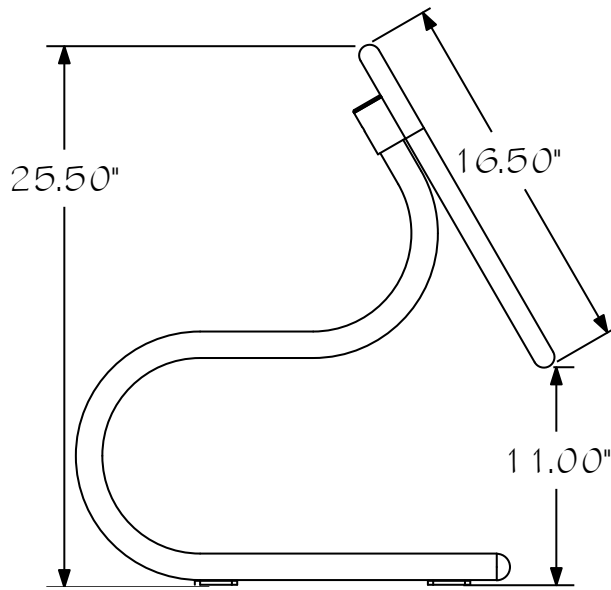
* Images are computer renderings, not actual photos, some color variance may occur from what is rendered to the actual powder coat finish.

Phone: 800-569-2056

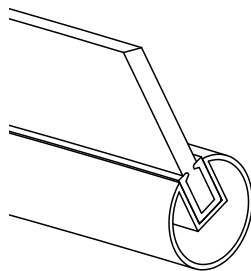
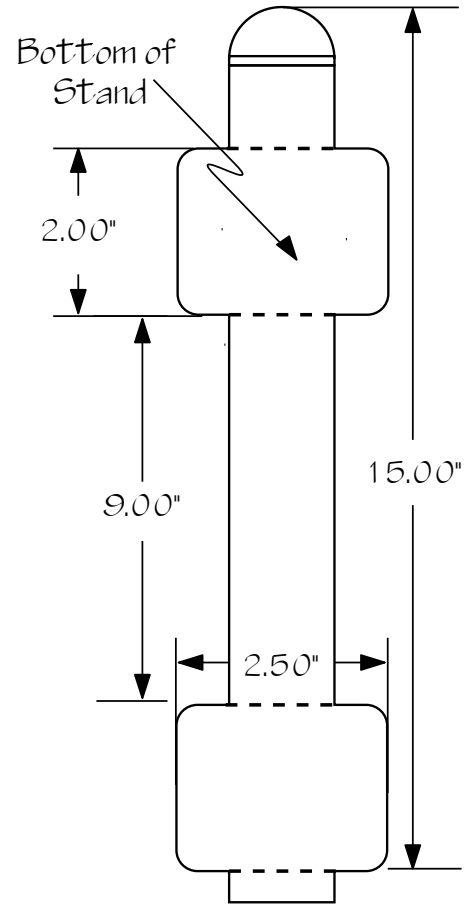
Fax: 573-449-7126

www.sneezeguardsolutions.com

SPECIFICATIONS



11 inch wrist clearance for young patrons



- Exclusive extruded 1" Groove Tube
- Mounted in rubber gasket
- 1.25" aluminum stands
- Scratch resistant acrylic food shield
- Powder coated finish

<i>Black</i>	<i>Gold</i>	<i>Nominal Length</i>	<i>Overall Length</i>	<i>Between Stands</i>	<i>Weight</i>
0801 LP	0802 LP	2 foot*	25.5"	20.5"	8 lbs
0901 LP	0902 LP	3 foot*	34.75"	29.75"	9 lbs
1001 LP	1002 LP	4 foot	46.75"	41.75"	10 lbs
1101 LP	1102 LP	5 foot	58.75"	53.75"	13 lbs
1201 LP	1202 LP	6 foot	70.75"	65.75"	14 lbs
1281 LP	1282 LP	8 foot	94.75"	89.75"	18 lbs

**One leg does not lock in a closed position due to short length of guard.*

Silver available upon request

LOW PROFILE PORTABLE