

# SAMPLER SNEEZE GUARD



•Designed for use in grocery store/wholesale club food sampling, continental breakfast's, and to cover condiments.

SAMPLER GUARD



*Protect your investment, ensure proper storage and handling.*

*Storage and handling solutions are available.*

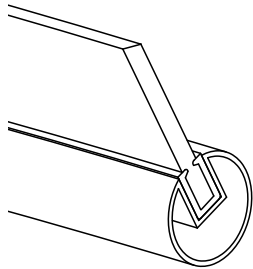
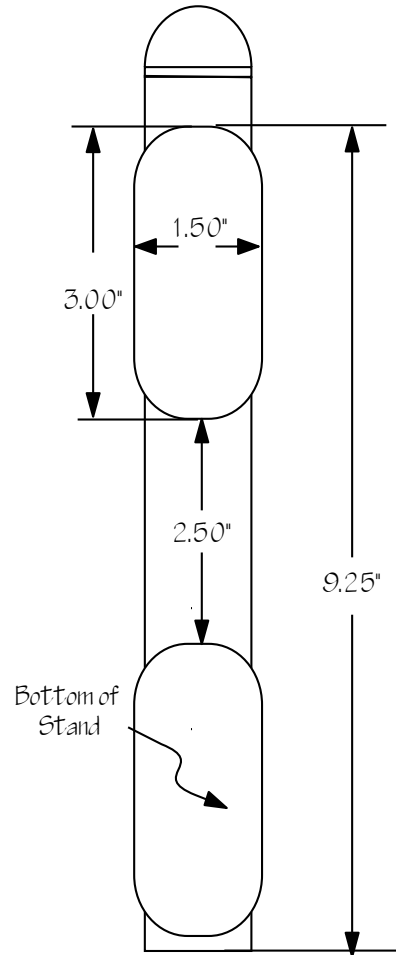
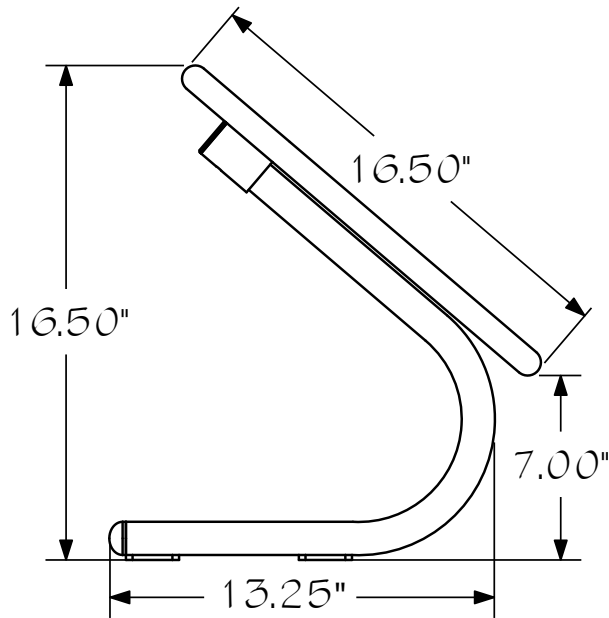


ANSI/NSF 2

\* Images are computer renderings, not actual photos, some color variance may occur from what is rendered to the actual powder coat finish.

Phone: 800-569-2056  
Fax: 573-449-7126  
[www.sneezeguardsolutions.com](http://www.sneezeguardsolutions.com)

# SPECIFICATIONS



- Exclusive extruded 1" Groove Tube
- Mounted in rubber gasket
- 1.25" aluminum stands
- Scratch resistant acrylic food shield
- Powder coated finish

<i>Black</i>	<i>Nominal Length</i>	<i>Overall Length</i>	<i>Between Stands</i>	<i>Weight</i>
<i>6001</i>	<i>2 foot</i>	<i>25.5"</i>	<i>20.5"</i>	<i>6 lbs</i>
<i>6101</i>	<i>3 foot</i>	<i>34.75"</i>	<i>29.75"</i>	<i>8 lbs</i>

SAMPLER GUARD